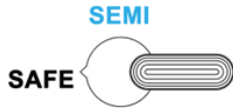


OPERATION MANUAL FOR EAGLE OPTICAL ETU

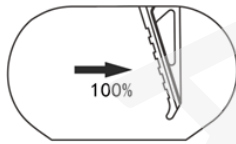
BEFORE FIRST USE restore to factory settings and set up trigger:

1. Restore factory settings

- Make sure the selector is in SAFE mode before connecting



- Pull the trigger to the bottom in SAFE mode, please do not press hard on the trigger.



- Connect the battery when pull the trigger, after the connect prompt, wait for 5 seconds, after a “beep” sounds, it means the restore factory settings is success.

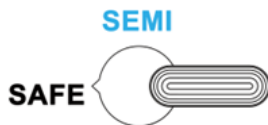


Note: After restoring factory settings, the trigger can be used normally only after setting up.

*** Every installation of the ETU requires restoring factory settings and resetting the trigger.**

2. Set up the trigger before use

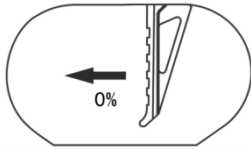
- Make sure the selector is in SAFE mode before connecting.



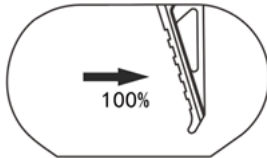
- Connect battery in SAFE mode.



- No action is required after the connect prompt, wait for 3 seconds and a "beep" prompt, wait for 3 seconds and a "beep" sound will appear.

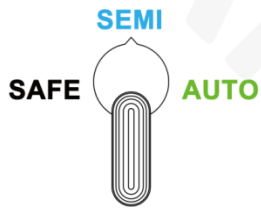


- Pull the trigger to the bottom for 5 seconds. When a “beep” sounds appears, it means the activation is successful.

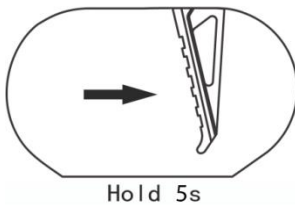


Entering the Programming Menu:

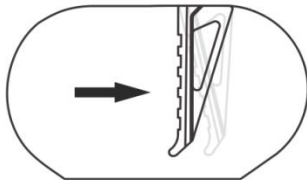
1. The firing switch must be switched to **SEMI**.



2. Hold down the trigger until a **beep** sound.

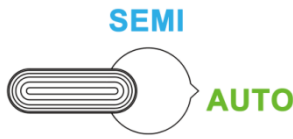


3. Press the trigger to select the programming branch (the processor lets us know which branch we are in by beeping (1 beep, 2 beeps, 3, 4, 5)).



	1	2	3	4	5
SEMI POSITION	Automatic shooting mode	SEMI shooting mode	Trigger mode	Pre-cocking mode	Active brake

- By switching the firing mode switch to full **auto mode** we get into the programming of that particular branch.



SEMI POSITION	1				2				3					4						5	
	Automatic shooting mode				SEMI shooting mode				Trigger mode					Pre-cocking mode						Active brake	
AUTO POSITION	1	2	3	4	1	2	3	4	1	2	3	4	5	1	2	3	4	5	6	1	2
		AUTO	SEMI	Burst 3	Burst 5	SEMI	Binary	AUG	Sniper	20%	40%	60%	80%	100%	Level 1	Level 2	Level 3	Level 4	Level 5	Level 6	ON

Number of BEEPS
SELECTION

- By pressing the trigger I switch between the different options (which option I have set the processor lets me know with the appropriate number of beeps).
- Long press and hold the trigger to confirm and save the option selection.
- Exit programming - by turning the firing switch to **safe** position.
- Exit branch programming to change branch - turn firing switch from **full auto** to **semi** and then **trigger** to select the desired branch as in step 3.

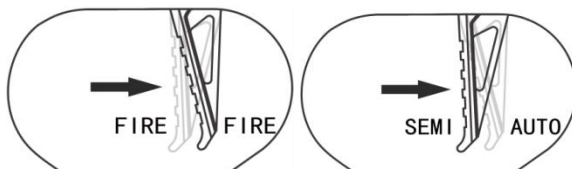
SEMI POSITION	1				2				3					4						5	
	Automatic shooting mode				SEMI shooting mode				Trigger mode					Pre-cocking mode						Active brake	
AUTO POSITION	1	2	3	4	1	2	3	4	1	2	3	4	5	1	2	3	4	5	6	1	2
		AUTO	SEMI	Burst 3	Burst 5	SEMI	Binary	AUG	Sniper	20%	40%	60%	80%	100%	Level 1	Level 2	Level 3	Level 4	Level 5	Level 6	ON

AUTO Shooting mode

- AUTO
- SEMI
- Burst 3 : Pull the trigger once will shoot 3 times.
- Burst 5 : Pull the trigger once will shoot 5 times.

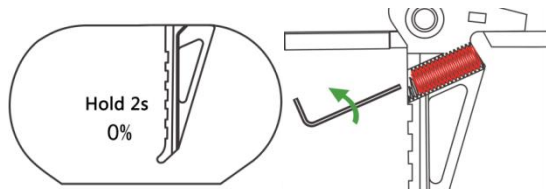
SEMI Shooting mode

- SEMI
- Binary : pull the trigger to the bottom will shoot one time and release the trigger will shoot one time
- Pull the trigger to 20% is "SEMI" mode; Pull the trigger to 20% is "SEMI" mode;



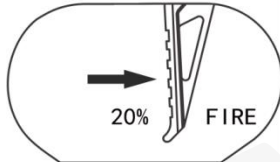
Sniper : Wait for 2 seconds for each shot. After 2 seconds, there will be a "beep" sound indicating that it can be shot.

Special suggestion: The AUG mode requires the trigger screw to be adjusted to a completely unrestricted state for normal use.

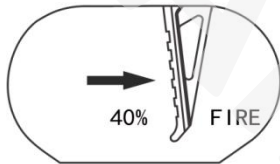


TRIGGER mode

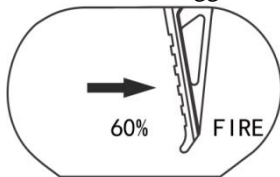
- 20% : Pull the trigger 20% to shoot.



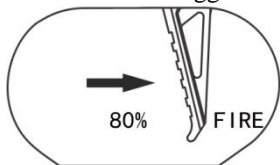
- 40% : Pull the trigger 40% to shoot.



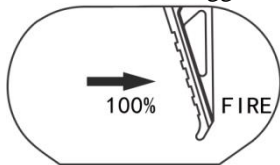
- 60% : Pull the trigger 60% to shoot.



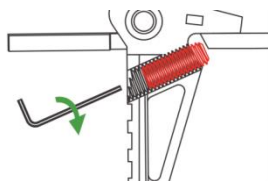
- 80% : Pull the trigger 80% to shoot.



- 100% : Pull the trigger 100% to shoot.

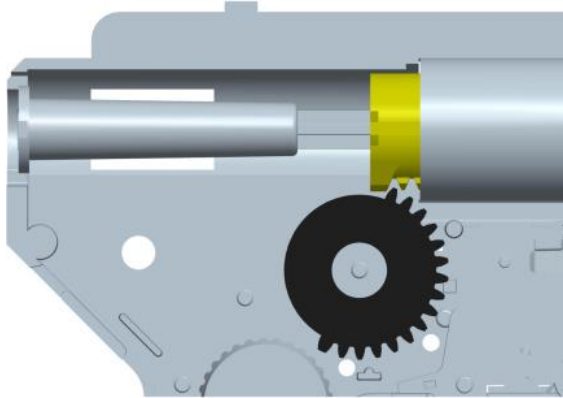


Special suggestion: The screw inside the trigger can adjust the distance. The distance of the trigger can be adjusted according to the selected mode for better trigger sensitivity.

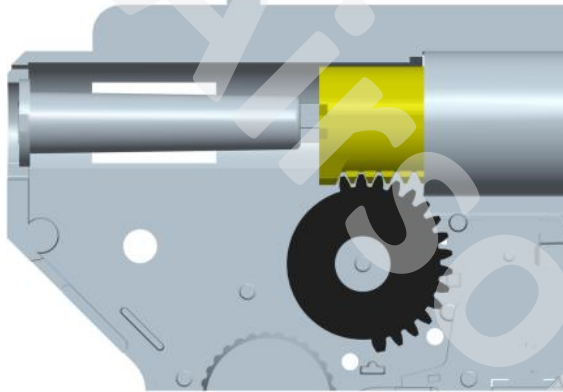


Pre-cocking mode

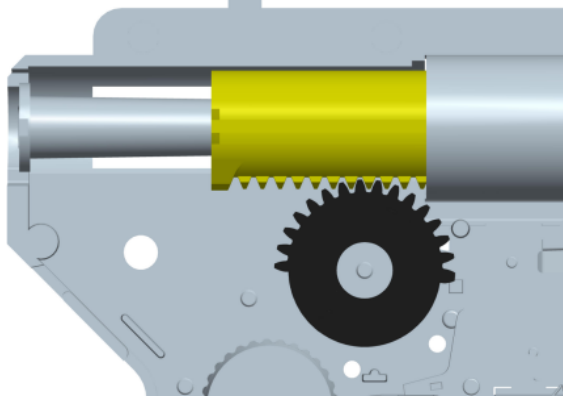
- I. Level 1 : The piston stop position is 1st gear.



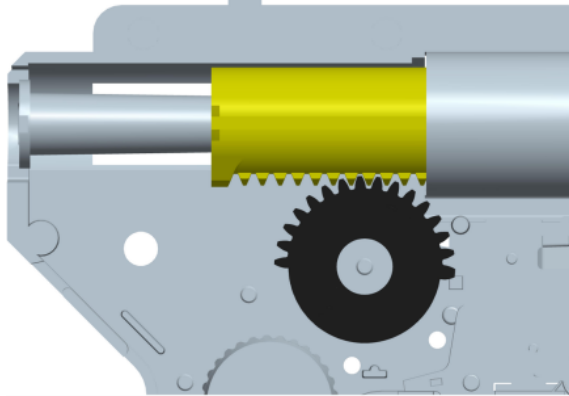
- II. Level 2 : The piston stop position is 2nd gear.



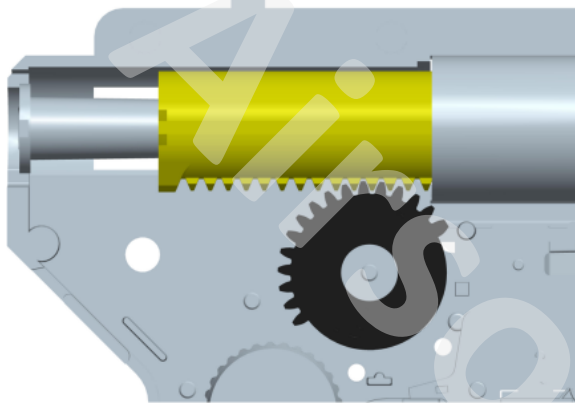
- III. Level 3 : The piston stop position is 3rd gear.



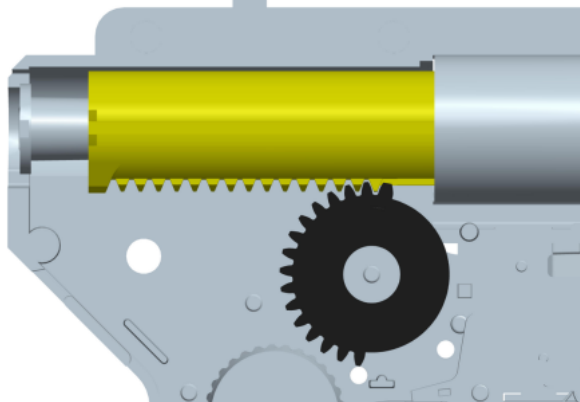
IV. Level 4 : The piston stop position is 4th gear.



V. Level 5 : The piston stop position is 5th gear.



VI. Level 6 : The piston stop position is 6th gear.



Active brake

1. Active brake - ON
2. Active brake - OFF

Please turn off “Active brake” when using the brushless motor